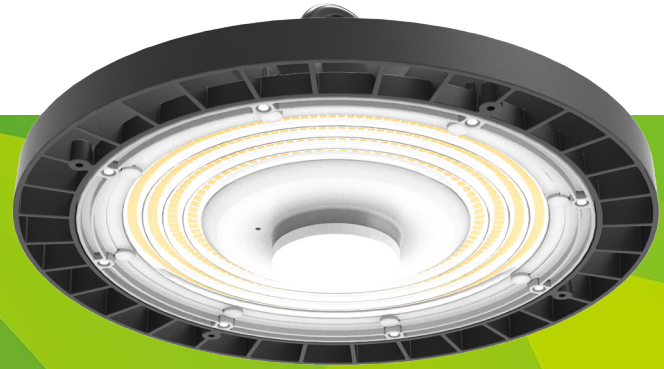




# [LITEBAY]

## GEN 2 LED HIGHBAY



**5**  
YEAR  
PRODUCT  
WARRANTY

**W**  
WATTAGE  
SELECTABLE

**IP**  
**65**  
INGRESS  
PROTECTION

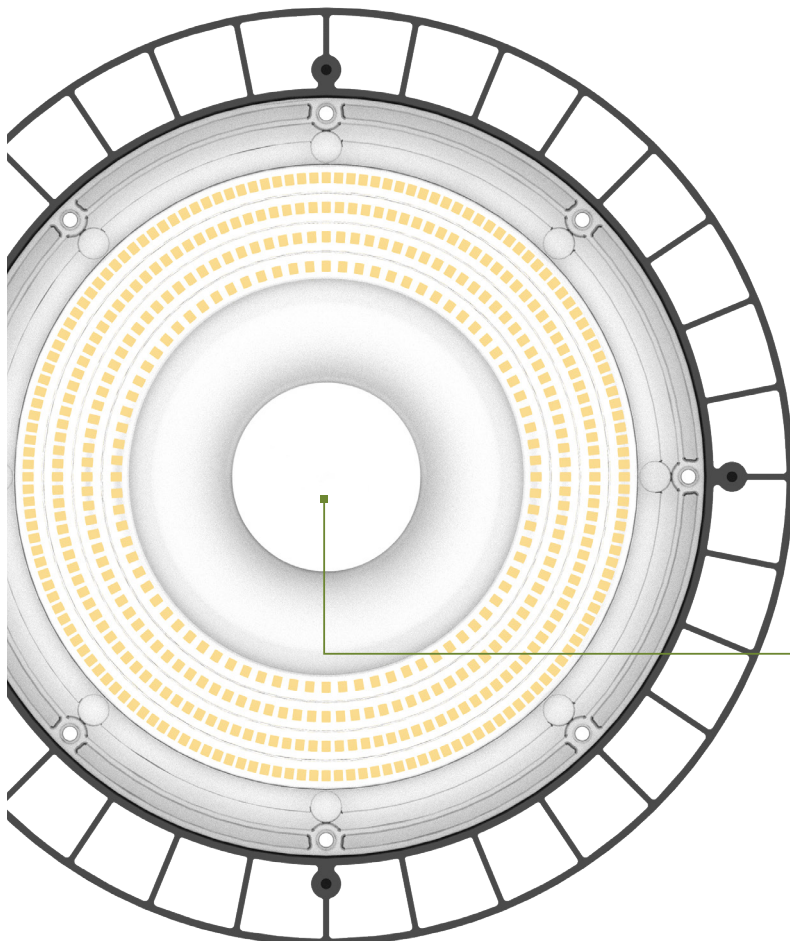
**IK**  
**08**  
IMPACT  
PROTECTION

### Description

The [LITEBAY] GEN 2 LED Highbay offers three selectable wattage levels and optional plug and play sensor in an upgraded housing, providing flexibility for your individual needs. Its features include an efficacy upgrade to 170lm/W, IP65 rating, and a five-year warranty - making it the ideal choice for many commercial and industrial applications.

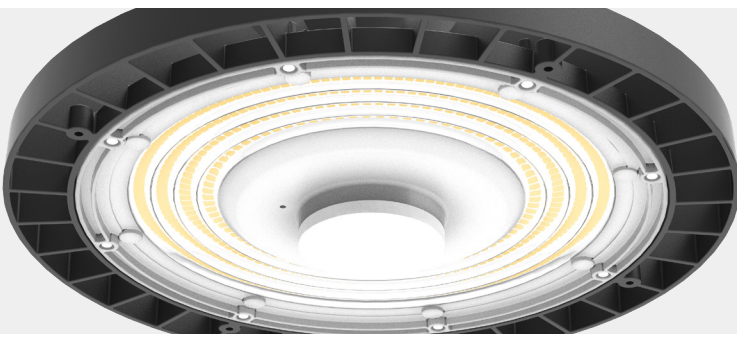
### Key Features

- > Wattage selectable
- > High efficacy up to 170lm/W
- > 0-10V dimmable
- > 5 year warranty
- > Optional sensor available



### Optional Control Module

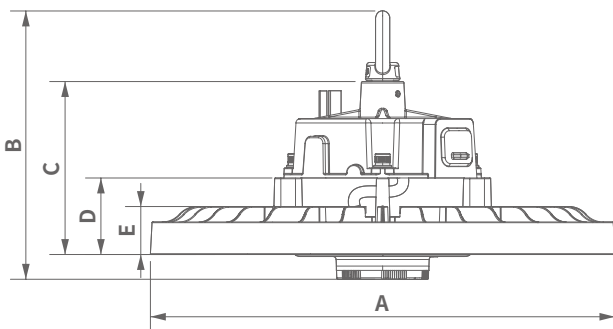
Specially designed plug and play modules for simple change between standard and sensor versions



Technical Specifications

Rated Life	≥50,000 hours	Operating Temperature	-40°C to +50°C
Body	Aluminium	Input Voltage	90-305 VAC ~ 50/60Hz
Installation	Chain mounted	IP Rating	IP65
Beam Angle	120° (90°/60° special order)	IK Rating	IK08
Power Factor	>0.9	Connection	Flex and Plug (1.5m)
CRI	>80		

Dimensional Drawing



Model	A mm	B mm	C mm	D mm	E mm	Weight kg
HL-200D120-G2	ø300	174	112	50	31	2.35

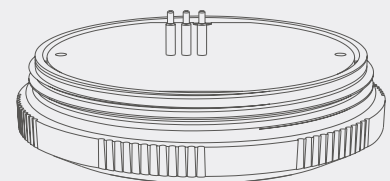
Product Data

Part Number	Power	Lumen Output	CCT
HL-200D120-G2	100W/150W/200W	17,500lm/25,800lm/34,000lm	5000K
HL-200D90-G2*	100W/150W/200W	17,500lm/25,800lm/34,000lm	5000K
HL-200D60-G2*	100W/150W/200W	17,500lm/25,800lm/34,000lm	5000K

\*Special order. Minimum order quantities apply.

OPTIONAL ACCESSORIES

<b>Sensor Module</b>	HL-SEN-LCD
HF System	5.8GHz CW Radar
Detection Range	Max. Ø14m
Daylight Sensor	2 - 400lux / Disable
Standby Mode	10s - 1hr / 10-50% Dimming
Sensor settings customisable via optional remote control HS-REM-LCD	



**Remote Control**  
HS-REM-LCD



**Bracket Mount**  
HS-BRKT-200-G2

