



## Flexibility = Plasticity

Being flexible is always an important concept of LUMAN®, we apply this to some of our series/systems for on-site adjustment from time to time.

## [CORE GIMBAL]

### Adjustable Down Light

#### [Core Gimbal]

is a widely adjustable downlight for commercial area! Solid structure design with excellent efficiency - the best lighting solutions for 35/70W metal halide lamp replacement.

- ◆ Up to 100lm/W with CRI>80
- ◆ High efficiency COB LED, with wide range options in CRI/CCT/special applications (LED options: **LUMAN** / **CITIZEN** / **TRIDONIC** / **PHILIPS** or equivalent)
- ◆ High stability with up to 5 year warranty / 50,000 hours lifetime (Driver option: **LUMAN** / **PHILIPS** / **TRIDONIC** / **OSRAM** or specified)

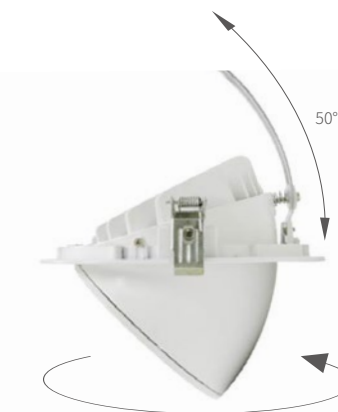


#### Effective Heat Sink Design

Compact size, but power up to 40W with supreme Cold forging efficiency heat sink

#### Solid Structure

Well designed solid structure provides tiltable 350° + 50° gimbal angle



350°

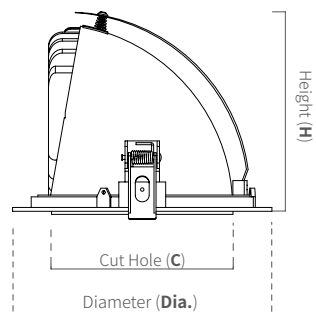
## [CORE GIMBAL] Adjustable Down Light



### Easy Installation

Flex and plug to ensure simple and perfect connection

### Dimensional Drawing



Dia.	Ø190
H	150
C	Ø175
X	350°
Y	50°

\*Unit = mm  
\*Cut Hole size can be +/- 5mm

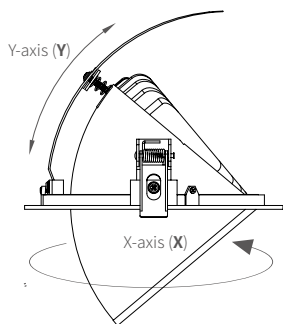


### Environmental Properties

Operating Temperature	-10°C ~ +40°C
Storage Temperature	-40°C ~ +60°C
Life time	50,000 hours

### Mechanical Properties

Body	Aluminum
Base	External driver, Flex and Plug
Weight	880g



## [CORE GIMBAL] Adjustable Down Light

### Technical Operation Data

	LM-G6W30-AN0Wx	LM-G6D30-AN0Wx
LUMINOUS FLUX	2800lm	3000lm
COLOR	Warm White	Day White
CCT	3000K	4000K
CRI	>83	>83
RADIANCE ANGLE	15° /25° /50°	15° /25° /50°
VOLTAGE(AC)	220-240V 50/60Hz	220-240V 50/60Hz

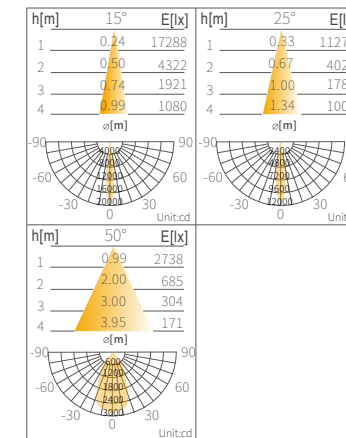
	LM-G6N30-AN0Wx
LUMINOUS FLUX	3000lm
COLOR	Neutral white
CCT	5000K
CRI	>83
RADIANCE ANGLE	15° /25° /50°
VOLTAGE(AC)	220-240V 50/60Hz

	LM-G6W40-AN0Wx	LM-G6D40-AN0Wx
LUMINOUS FLUX	3600lm	3800lm
COLOR	Warm White	Day White
CCT	3000K	4000K
CRI	>83	>83
RADIANCE ANGLE	15° /25° /50°	15° /25° /50°
VOLTAGE(AC)	220-240V 50/60Hz	220-240V 50/60Hz

	LM-G6N40-AN0Wx
LUMINOUS FLUX	3800lm
COLOR	Neutral white
CCT	5000K
CRI	>83
RADIANCE ANGLE	15° /25° /50°
VOLTAGE(AC)	220-240V 50/60Hz

Remark:  
'X' (Indicated beam angle) = '2' (15°) / '3' (25°) / '5' (50°)  
Please contact us for other specification information.

### • POWER:30W, 4000K



### • POWER:40W, 4000K

